

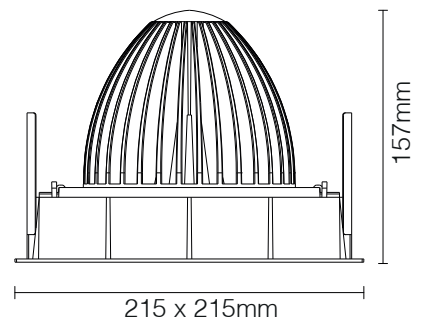
Coney Uno

Downlight



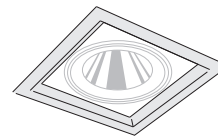
Product Information

Lumen Output	2300lm	3100lm	3900lm	4400lm
Module Power	17W	26W	34W	38W
Driver Current	500mA	700mA	900mA	1050mA
LED Chip Manufacturer	Tridonic			
Driver Input Voltage	240V AC			
Driver Manufacturer	Tridonic / Osram / Meanwell			
Dimming Options	Phase Cut / Switch Dim / DALI / DSI			
Mounting Options	Recessed			
Fitting Colour	Black / White (custom on request)			
Diffuser	Clear			
Tilting Angle Range	0° - 30°			
IP Rating	20			



Photometric Information

CRI Options	80Ra / 90Ra
Colour Temperature (CCT) Options	3000K / 3500K / 4000K
Beam Angle Options	18° / 28° / 38° / 60°
Light Output Ratio (LOR)	>80%



Combine Downlight fitting with Ceiling Frame (supplied separately)