

Turin

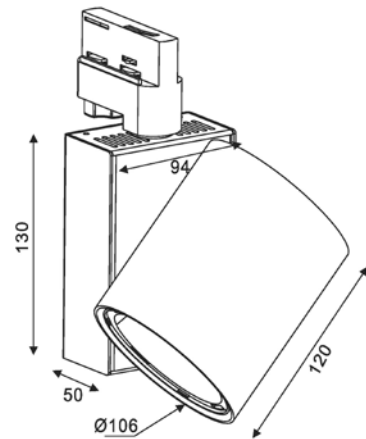
Tracklight



SPOTLIGHTS | TRACK LIGHTING

Product Information

Lumen Output COB	2600lm
Module Power	23W
Module Efficacy	113lm/W
Lamp Circuit Power (LCP)	29W
LED Chip Manufacturer	Citizen
Driver Current	700mA
Driver Input Voltage	240V
Driver Manufacturer	HEP
Dimming Options	Non-Dimmable
Mounting Options	Track / Surface
Fitting Colour	Black / White (custom on request)
Diffuser	Clear
Tilting Angle Range	0° - 90°
Rotation Angle Range	355°
IP Rating	IP20



Photometric Information

CRI Options	>90Ra
Colour Temperature (CCT)	3000K / 4000K (custom on request)
Beam Angle Options	15° / 20° / 45°
Light Output Ratio (LOR)	88%

